

## 13 54 030 Removing and installing/sealing throttle body (N55)



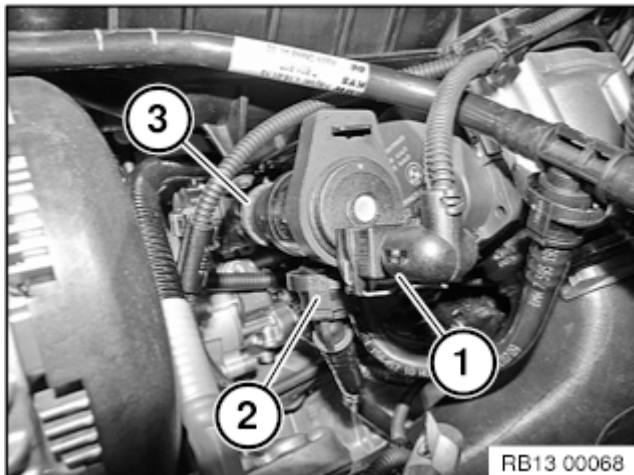
### Important!

Read and comply with notes on [protection against electrostatic damage \(ESD protection\)](#).



### Necessary preliminary work:

- Switch off ignition.
- [Remove left charge air duct.](#)

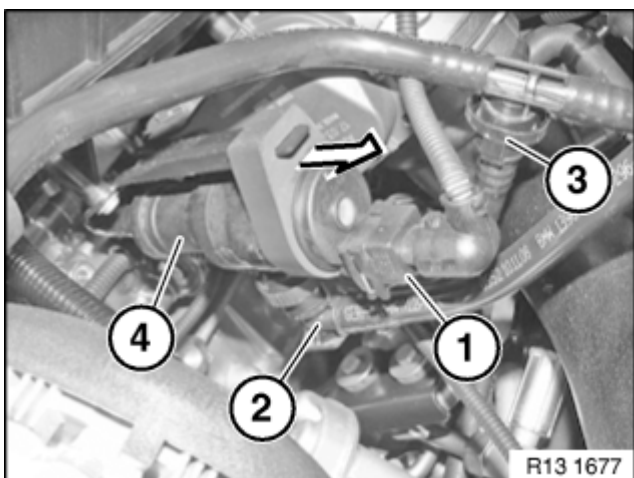


### Version 1:

Release connector (1) and remove.

Unlock hose (2) and detach.

Release fastener (3) and detach fuel tank vent line from fuel tank vent valve and place to one side.

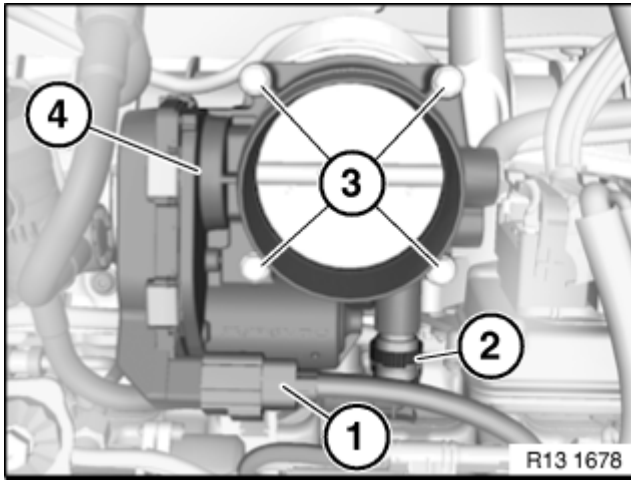


### Type 2:

Release connector (1) and remove.

Unlock and disconnect hoses (2) and (3).

Remove tank vent valve (4) from holder in the direction of arrow and place aside.



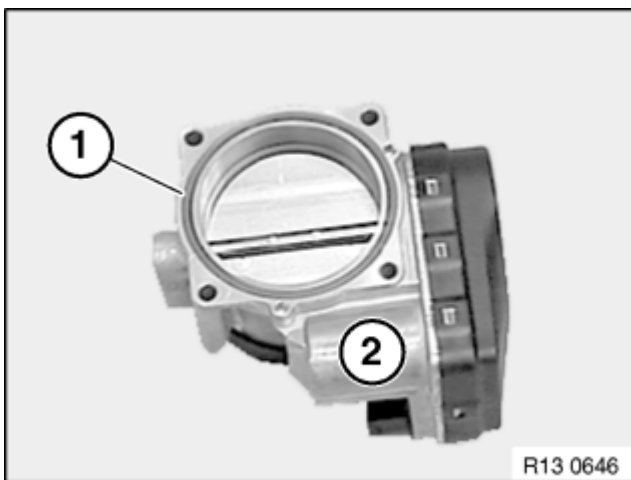
Release connector (1) and remove.

Release screws (3).

Partially remove throttle body (4) and unlock tank ventilation line (2) and remove.

Tightening torque [13 54 1AZ](#).

Remove throttle body (4).



**Installation note:**

Replace sealing ring (1) of throttle body (2).



*Installation note:*

Check stored fault message.

Delete fault memory.

For informational purposes only. The information on this website is provided AS-IS with no warranties, express or implied, and is not guaranteed to be error-free, up-to-date or complete. NewTIS and BMW assume no liability for any loss or damage arising from the use or reliance on the information and content on this website. The content on this website is subject to change without notice.