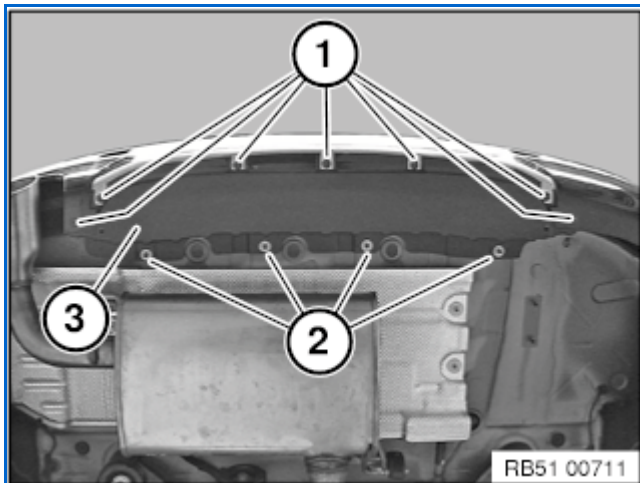


REP-REP-RAF2551-5112X01 Removing and installing/replacing lower cover (middle)
, VIN: [REDACTED]

ISTA system version	3.55.11.16402	Data version	R3.54	Programming data	-
VIN	[REDACTED]	Vehicle	X'/F25/off-road vehicle/X3 xDrive35i/N55/AUTO/US/LL/2015/12		
Int.lev.works	-	Int.lev.(cur.)	-	Int.lev.(tar.)	-
Mileage	0 km				

51 12 ...

Removing and installing/replacing
lower cover (middle)



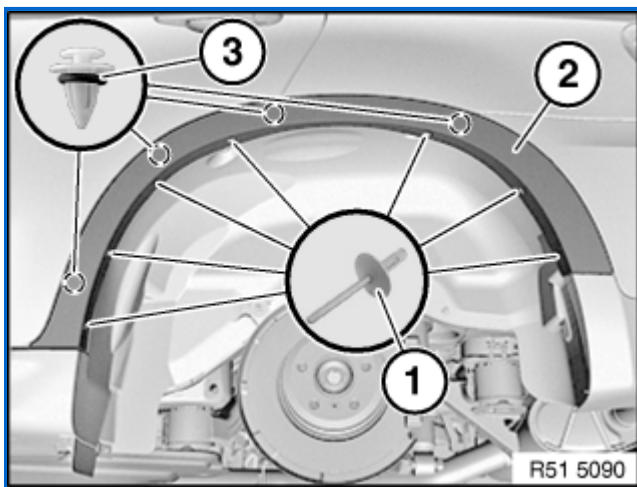
- Release expanding rivets (1).
- Unscrew nuts (2).
- Tightening torque [51 12 9AZ](#).
- Remove cover (3).
- Installation note:*
- Replace expanding rivets (1).

REP-REP-RAF2551-5171478 Removing and installing/replacing cover on rear left or right wheel arch, VIN: ██████████

ISTA system version	3.55.11.16402	Data version	R3.54	Programming data	-
VIN	██████████	Vehicle	X/F25/off-road vehicle/X3 xDrive35i/N55/AUTO/US/LL/2015/12		
Int.lev.works	-	Int.lev.(cur.)	-	Int.lev.(tar.)	-
Mileage	0 km				

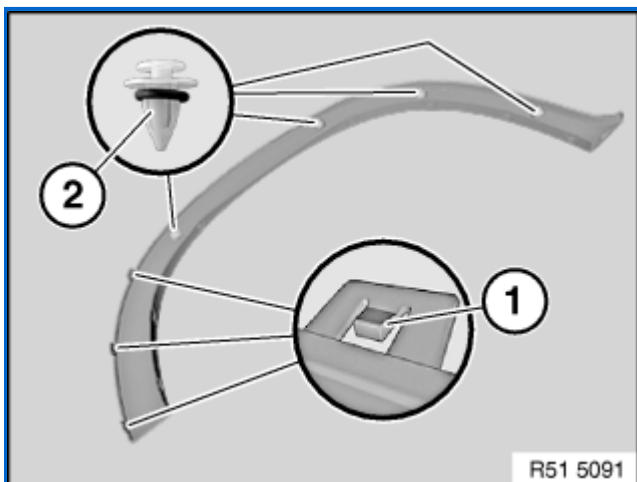
51 71 478

Removing and installing/replacing cover on rear left or right wheel arch



Release the rivets (1).

Release cover (2) at clips (3) and remove.



Installation note:

Catches (1) must not be damaged or missing.

Replace faulty clips (2).



Water ingress!

Always install clips (2) with sealing ring.

REP-REP-RAF2563-6314120 Removing and installing or replacing rear reflector
 reflector, VIN: [REDACTED]

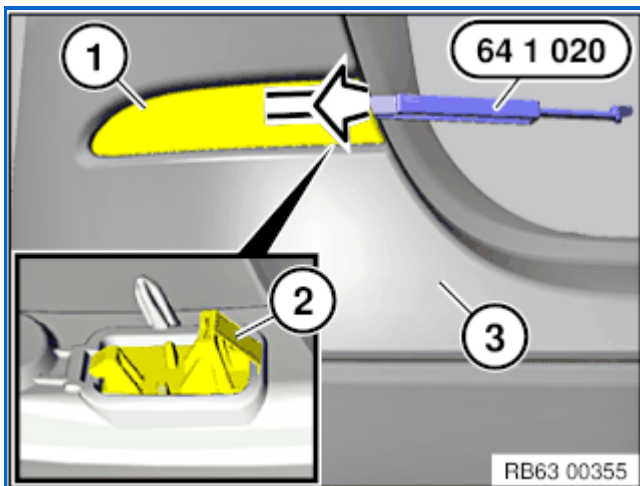
ISTA system version	3.55.11.16402	Data version	R3.54	Programming data	-
VIN	[REDACTED]	Vehicle	X/F25/off-road vehicle/X3 xDrive35i/N55/AUTO/US/LL/2015/12		
Int.lev.works	-	Int.lev.(cur.)	-	Int.lev.(tar.)	-
Mileage	0 km				

63 14 120

Removing and installing or replacing rear reflector

Special tools required:

- [64 1 020](#)

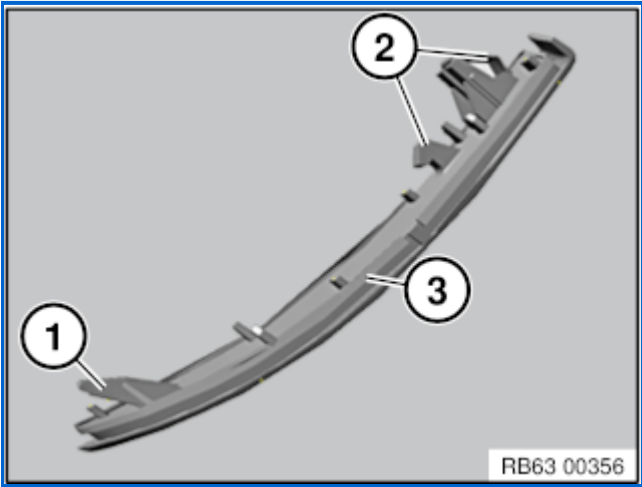


Carefully release rear reflector (1) from latch mechanism (2) using special tool [64 1 020](#) as shown. Remove rear reflector (1) from the bumper panel (3) in direction of arrow.

Installation note:

Guide (1) and latch mechanisms (2) must be neither damaged or missing.

Make sure rear reflector (3) is correctly seated.



REP-REP-RAF2563-6321170 Removing and installing/replacing left or right rear light (in side wall)
, VIN: [REDACTED]

ISTA system version	3.55.11.16402	Data version	R3.54	Programming data	-
VIN	[REDACTED]	Vehicle	X/F25/off-road vehicle/X3 xDrive35i/N55/AUTO/US/LL/2015/12		
Int.lev.works	-	Int.lev.(cur.)	-	Int.lev.(tar.)	-
Mileage	0 km				

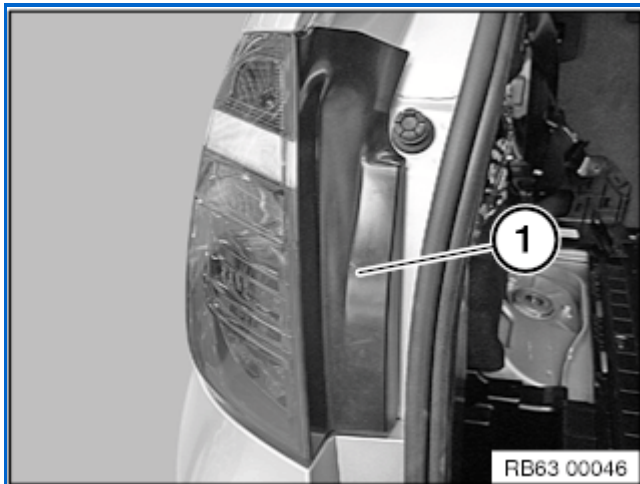
63 21 170

Removing and installing/replacing
left or right rear light (in side wall)



Important!

Read and comply with notes on protection against electrostatic damage ([ESD protection](#)).



Carefully slide trim (1) upward somewhat and remove toward luggage compartment.

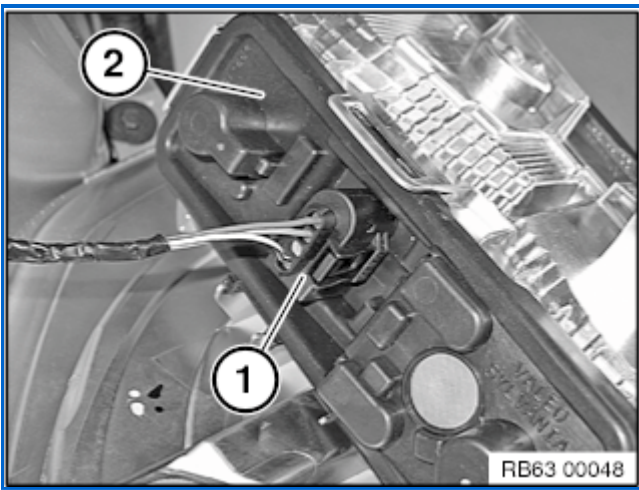
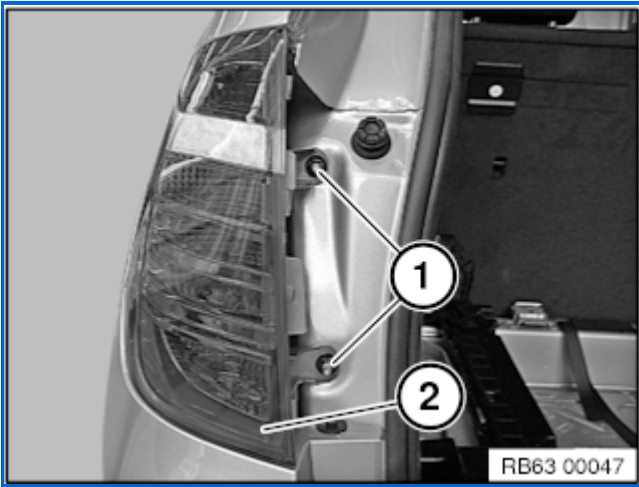
Installation note:

Make sure cover (1) is correctly seated.

Unscrew nuts (1).

Tightening torque [63 21 5AZ](#).

Remove rear light (2) towards rear.



Unfasten plug connection (1) and disconnect.
Remove rear light (2).

Installation note:
Make sure rear light (2) is correctly seated.

REP-REP-RAF2551-5112156 Removing and installing rear bumper panel; VIN: [REDACTED]

ISTA system version	3.55.11.16402	Data version	R3.54	Programming data	-
VIN	[REDACTED]	Vehicle	X'/F25/off-road vehicle/X3 xDrive35i/N55/AUTO/US/LL/2015/12		
Int.lev.works	-	Int.lev.(cur.)	-	Int.lev.(tar.)	-
Mileage	0 km				

51 12 156

Removing and installing rear bumper panel



Necessary preliminary tasks:

- Remove [both rear lights](#)
- Remove [both rear reflectors](#)



Important!

To guarantee system function on vehicles with [lane change warning sensor](#) (radar sensor):

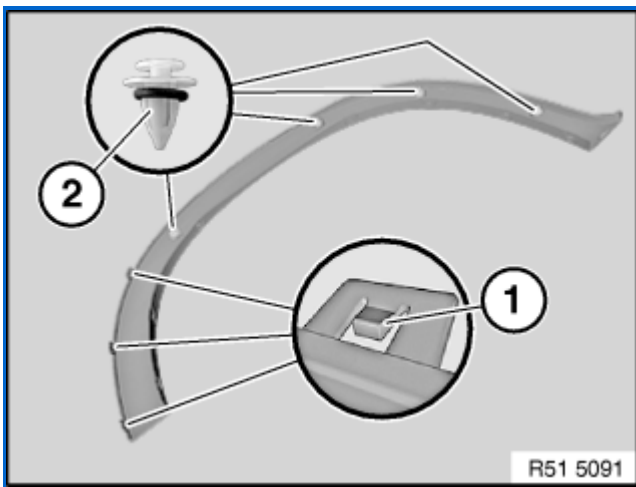
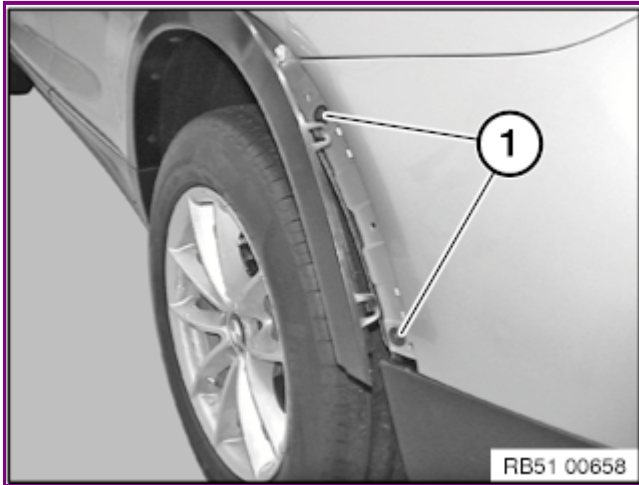
- there must be no mechanical damage (e.g. dents) and no body repair work with filler or painting (several coats) must be carried out in a 10 cm radius about the left or right sensor on the bumper panel
- no stickers must be attached in the area of the sensor

Follow the further instructions according to painting manual.

Partially release [wheel arch trim](#) on left and right in area of bumper panel.

Release left and right screws (1).

Tightening torque [51 12 5AZ](#).



Installation note:

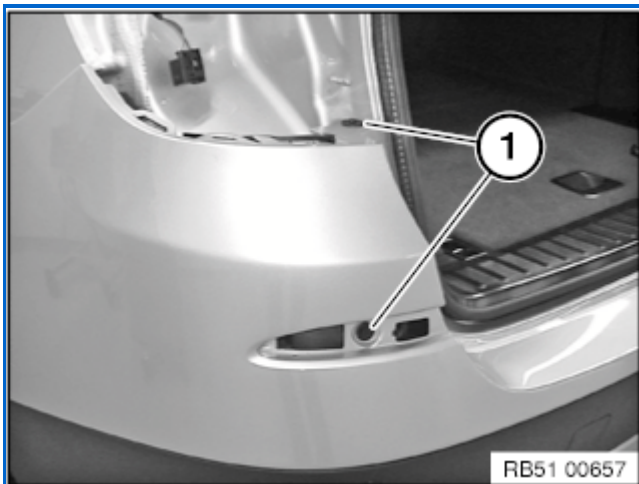
Catches (1) must not be damaged or missing.

Renew faulty clips (2).



Water ingress!

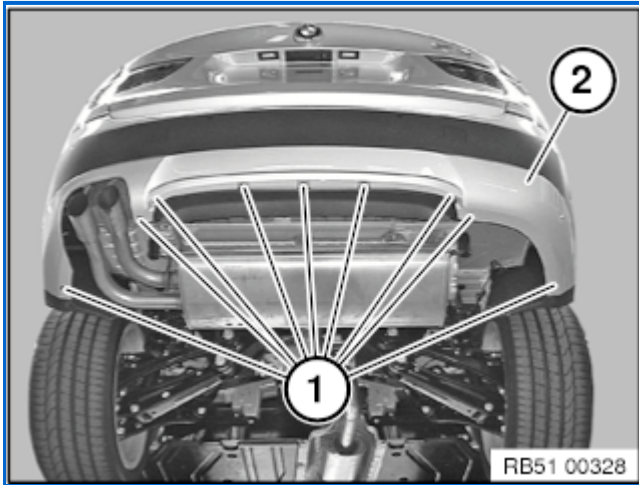
Always install clips (2) with sealing ring.



Release left and right screws (1).

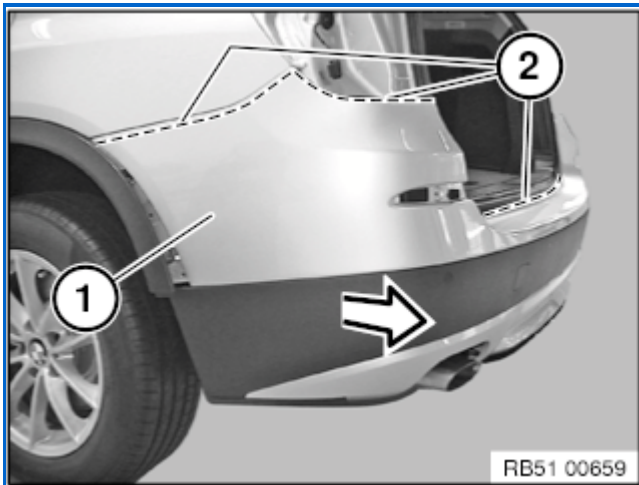
Tightening torque [51 12 6AZ](#).

Release expanding rivets (1) from bumper panel (2).



Installation note:

Replace expanding rivets.



Important!

Bumper panel (1) is locked and must be unlocked for dismantling (risk of damage).

Removing:

- Starting from side area (2), carefully disengage individual guide tabs on left and right
- Pull bumper panel (1) straight towards rear with aid of a second person
- If necessary, disconnect plug connections
- Set bumper panel (1) aside.

REP-REP-RAF2551-5112825 Removing and installing/replacing guide for rear centre bumper
VIN: [REDACTED]

ISTA system version	3.55.11.16402	Data version	R3.54	Programming data	-
VIN	[REDACTED]	Vehicle	X/F25/off-road vehicle/X3 xDrive35i/N55/AUTO/US/LL/2015/12		
Int.lev.works	-	Int.lev.(cur.)	-	Int.lev.(tar.)	-
Mileage	0 km				

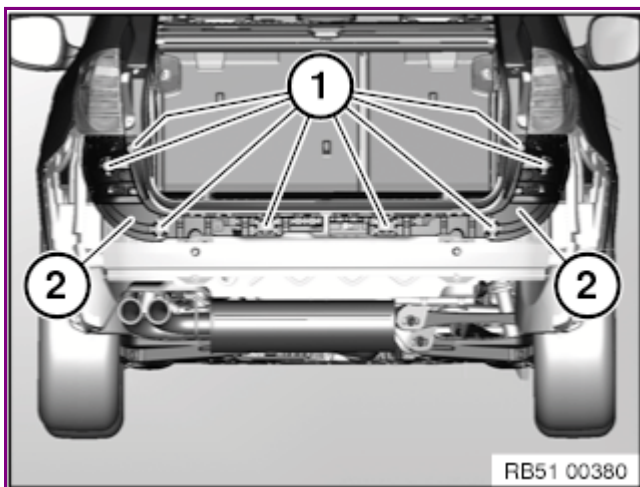
51 12 825

Removing and installing/replacing
guide for rear centre bumper



Necessary preliminary tasks:

- [Remove](#) rear bumper trim



Unscrew nuts (1).

Tightening torque [51 12 2AZ](#).

If necessary, feed out cable for Park Distance Control.

Remove guides (2).

Installation note:

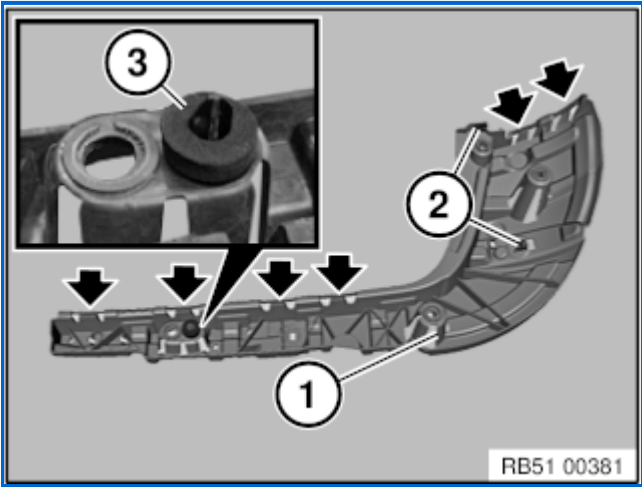
Latch mechanisms of guide (1) must not be missing or damaged.

Replace faulty sheet metal nuts (2).



Water ingress!

Replace sealing ring (3).



REP-REP-RAF2551-5112050 Removing and installing/replacing support for rear bumper panel
 panel, VIN: [REDACTED]

ISTA system version	3.55.11.16402	Data version	R3.54	Programming data	-
VIN	[REDACTED]	Vehicle	X'/F25/off-road vehicle/X3 xDrive35i/N55/AUTO/US/LL/2015/12		
Int.lev.works	-	Int.lev.(cur.)	-	Int.lev.(tar.)	-
Mileage	0 km				

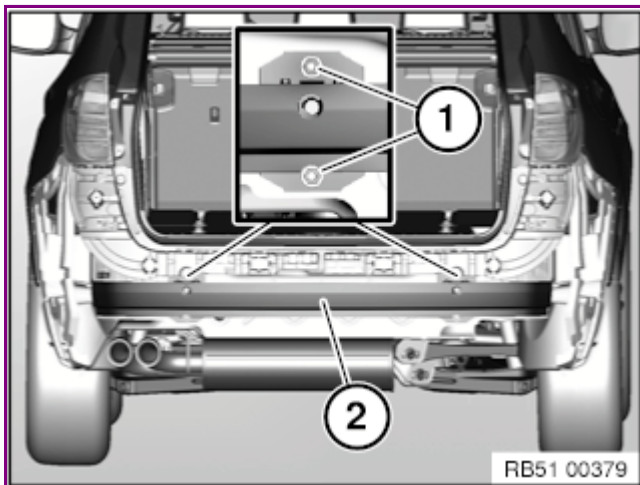
51 12 050

Removing and installing/replacing
support for rear bumper panel



Necessary preliminary tasks:

- Remove [bumper panel](#)



Release all nuts (1).

Tightening torque [51 12 1AZ](#).

Remove support (2).

Installation note:



Water ingress!

Bolts for nuts (1) must be sealed with [sealant 1](#) towards tail panel.

Replace gasket between support (2) and body every time after dismantling.

AZD-AZD-AZDMUC5112-F01 Rear bumper, VIN: XXXXXXXXXX

ISTA system version	3.55.11.16402	Data version	R3.54	Programming	- data
VIN	XXXXXXXXXX	Vehicle	X'/F25/off-road vehicle/X3 xDrive35i/N55/AUTO/US/LL/2015/12		
Int.lev.works	-	Int.lev.(cur.)	-	Int.lev.(tar.)	-
Mileage	0 km				

51 12 Rear bumper

	Type	Thread	Tightening specifications	Dimension
1AZ Support to body	F01 / F02 / F03 / F04 / F06 / F12 / F13	M12	Replace nuts	66 Nm
	F07 / F10 / F11 / F18	M12	Replace nuts	108 Nm
	F25 / F26			68 Nm
2AZ Guide, middle rear	F01 / F02 / F03 / F04 / F06 / F07 / F10 / F11 / F12 / F13 / F18		Replace nuts	4 Nm
	F25 / F26		Replace nuts	4,5 Nm
3AZ Guide, side, to body	F01 / F02 / F03 / F04 / F06 / F07 / F10 / F11 / F12 / F13 / F18 / F25 / F26		Replace nuts	4,5 Nm
			Screw	3 Nm
4AZ Trailer tow hitch to bumper support				
5AZ Bumper trim panel to side fixture	F07 / F10 / F11 / F18			2 Nm
	F25 / F26			2,5 Nm
6AZ Bumper trim panel to rear light housing	F07 / F25 / F26			4,5 Nm
	F06 / F10 / F11 / F12 / F13 / F18			2 Nm
7AZ Bumper trim panel to lower centre fixture	F07 / F10 / F11 / F18			4,5 Nm
8AZ Rear silencer holder	F07 / F10 / F11 / F12 / F13 / F18	Nut		21 Nm
9AZ Cover on body	F25 / F26	Nut		5 Nm

10AZ Bottom guide to luggage compartment floor	F10 M5			4 Nm
--	--------	--	--	------